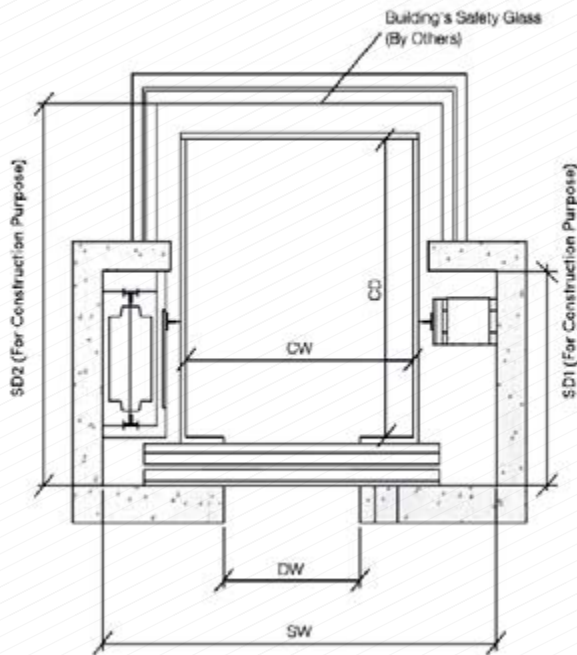


OBSERVATION LIFTS

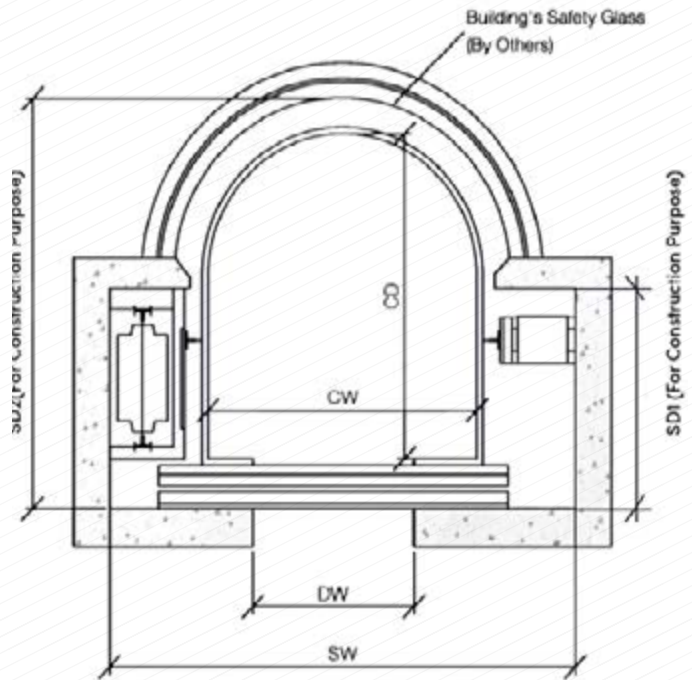


Speed (m/min)	Minimum Overhead OH (mm)	Minimum Pit Depth PH (mm)
60	4850	1600
90	4900	1750
105	4950	1750

(With 200mm runby)

Capacity		Car Internal Size	Door Size Center Opening	Optimal Shaft Size
Person	(Kg)	CW x CD (mm)	DW x DH (mm)	SW x SD1/SD2 (mm)
P10	685	1250 x 1400	800 x 2100	2250 x 1150 / 1850
P11	750	1350 x 1400	800 x 2100	2350 x 1150 / 1850
P13	885	1550 x 1400	900 x 2100	2550 x 1150 / 1850
P15	1025	1600 x 1550	900 x 2100	2600 x 1200 / 2000
P17	1160	1600 x 1700	1000 x 2100	2700 x 1300 / 2150
P20	1365	1800 x 1750	1000 x 2100	2900 x 1350 / 2200
P24	1635	1800 x 2000	1100 x 2100	2900 x 1500 / 2450

Notes: Shaft size is based on the application of standard glass doors.

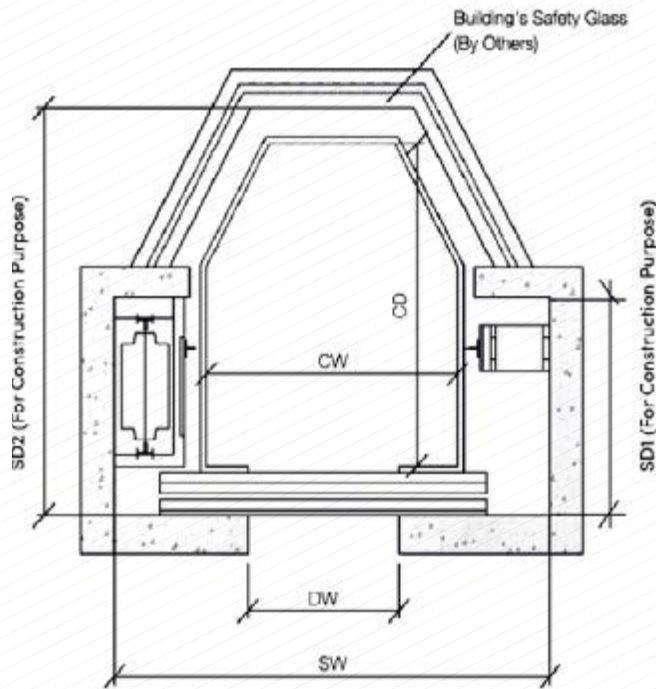


Speed (m/min)	Minimum Overhead OH (mm)	Minimum Pit Depth PH (mm)
60	4850	1600
90	4900	1750
105	4950	1750

(With 200mm runby)

Capacity		Car Internal Size	Door Size Center Opening	Optimal Shaft Size
Person	(Kg)	CW x CD (mm)	DW x DH (mm)	SW x SD1/SD2 (mm)
P10	685	1200 x 1600	800 x 2100	2200 x 1300 / 2050
P11	750	1300 x 1600	800 x 2100	2300 x 1250 / 2050
P13	885	1400 x 1700	900 x 2100	2400 x 1300 / 2150
P15	1025	1600 x 1700	900 x 2100	2600 x 1200 / 2150
P17	1160	1600 x 1900	1000 x 2100	2700 x 1400 / 2350
P20	1365	1800 x 1950	1000 x 2100	2900 x 1350 / 2400
P24	1635	1800 x 2200	1100 x 2100	2900 x 1600 / 2650

Notes: Shaft size is based on the application of standard glass doors.



Speed (m/min)	Minimum Overhead OH (mm)	Minimum Pit Depth PH (mm)
60	4850	1600
90	4900	1750
105	4950	1750

(With 200mm runby)

Capacity		Car Internal Size	Door Size Center Opening	Optimal Shaft Size
Person	(Kg)	CW x CD (mm)	DW x DH (mm)	SW x SD1/SD2 (mm)
P10	685	1400 x 1400	800 x 2100	2400 x 1150 / 1850
P11	750	1400 x 1500	800 x 2100	2400 x 1150 / 1950
P13	885	1600 x 1550	900 x 2100	2600 x 1150 / 2000
P15	1025	1600 x 1700	900 x 2100	2600 x 1300 / 2150
P17	1160	1800 x 1700	1000 x 2100	2900 x 1200 / 2150
P20	1365	2000 x 1800	1000 x 2100	3100 x 1200 / 2250
P24	1635	2000 x 2000	1100 x 2100	3100 x 1400 / 2450

Notes: Shaft size is based on the application of standard glass doors.



Dover Elevators (M) Sdn Bhd

Address : No 18, Jalan Utara, Off Jalan Imbi,
55100 Kuala Lumpur.

Tel : 03-2142 6622

Fax : 03-2144 4931

Email : management@dover-elevators.com.my